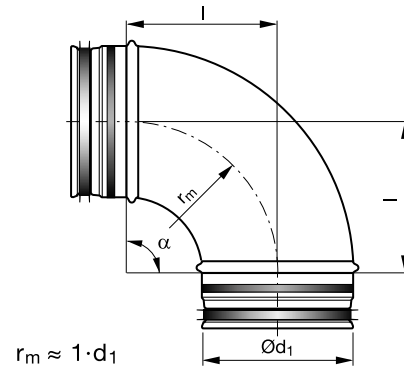


Bend

BUSS 90°



Dimensions



Description

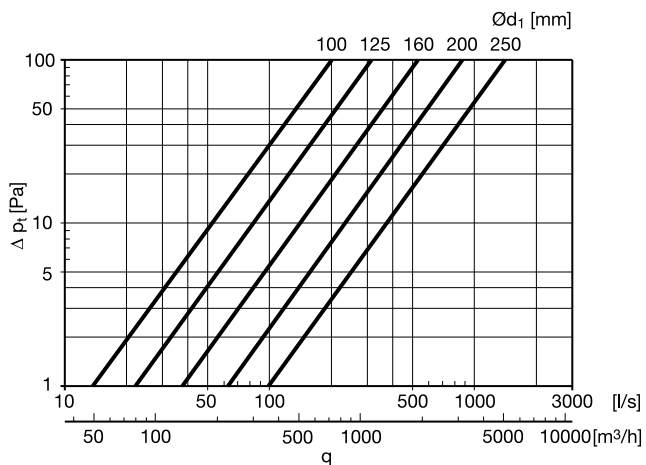
Pressed and seam welded bend.

The product is CE marked according to EN 12101-7 and used in a circular smoke control system - single compartment (see declaration of performance).

$\varnothing d_1$ nom mm	l mm	m kg
100	100	0,31
112	120	0,39
125	125	0,48
140	140	0,54
150	150	0,58
160	160	0,66
180	180	1,02
200	200	1,12
224	225	1,33
250	242	1,77

Technical data

Pressure loss



Order code

Product	BUSS
Dimension $\varnothing d_1$	200
Angle α	90

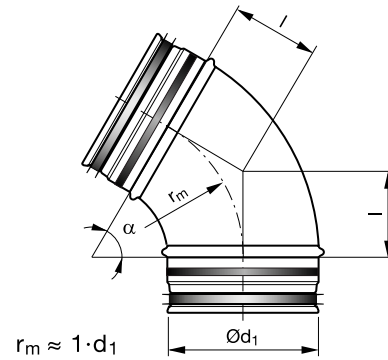
Order example: BUSS-200-90

Bend

BUSS 60°



Dimensions



Description

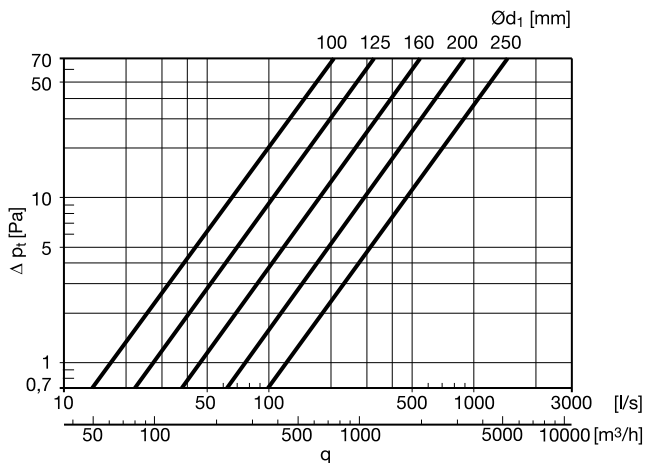
Pressed and seam welded bend.

The product is CE marked according to EN 12101-7 and used in a circular smoke control system - single compartment (see declaration of performance).

$\text{Ø}d_{1 \text{ nom}}$ mm	l mm	m kg
100	58	0,33
112	69	0,37
125	72	0,33
140	78	0,51
150	87	0,50
160	92	0,56
180	104	0,79
200	115	0,82
224	130	0,95
250	144	1,12

Technical data

Pressure loss

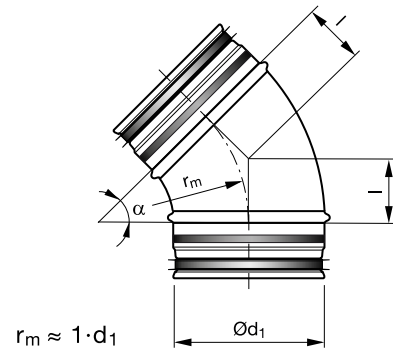


Bend

BUSS 45°



Dimensions



Description

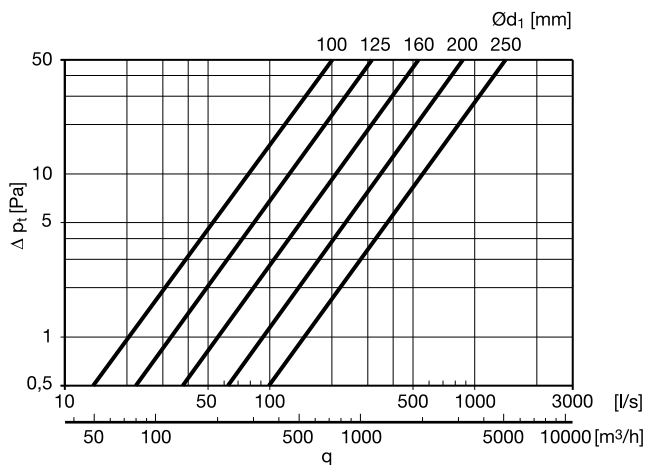
Pressed and seam welded bend.

The product is CE marked according to EN 12101-7 and used in a circular smoke control system - single compartment (see declaration of performance).

Ød _{1 nom} mm	l mm	m kg
100	41	0,21
112	81	0,24
125	52	0,29
140	56	0,43
150	62	0,42
160	66	0,48
180	76	0,65
200	83	0,80
224	93	0,82
250	103	1,05

Technical data

Pressure loss

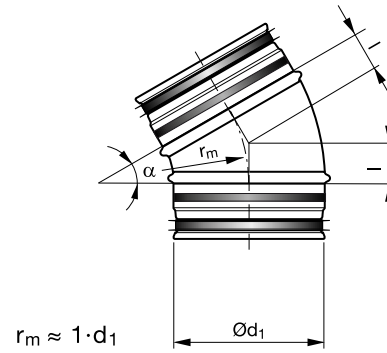


Bend

BUSS 30°



Dimensions



Description

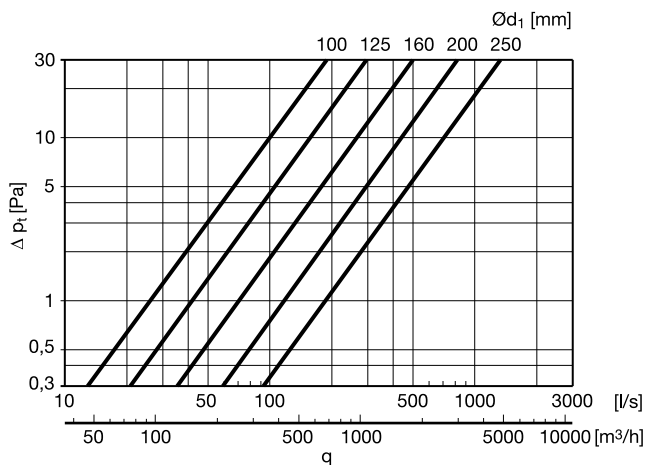
Pressed and seam welded bend.

The product is CE marked according to EN 12101-7 and used in a circular smoke control system - single compartment (see declaration of performance).

$\varnothing d_1$ nom mm	l mm	m kg
100	27	0,18
112	30	0,21
125	33	0,20
140	36	0,36
150	40	0,35
160	43	0,32
180	48	0,51
200	54	0,62
224	60	0,72
250	67	0,91

Technical data

Pressure loss

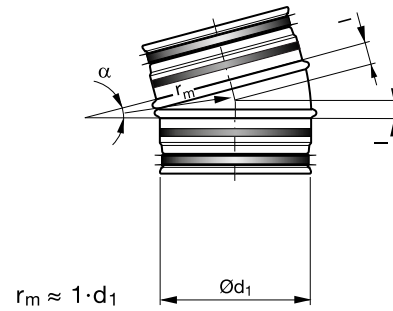


Bend

BUSS 15°



Dimensions



Description

Pressed and seam welded bend.

The product is CE marked according to EN 12101-7 and used in a circular smoke control system - single compartment (see declaration of performance).

$\varnothing d_{1 \text{ nom}}$ mm	l mm	m kg
100	13	0,15
112	25	0,29
125	16	0,18
140	18	0,29
150	20	0,27
160	21	0,24
180	24	0,37
200	26	0,35
224	30	0,56

Technical data

Pressure loss

